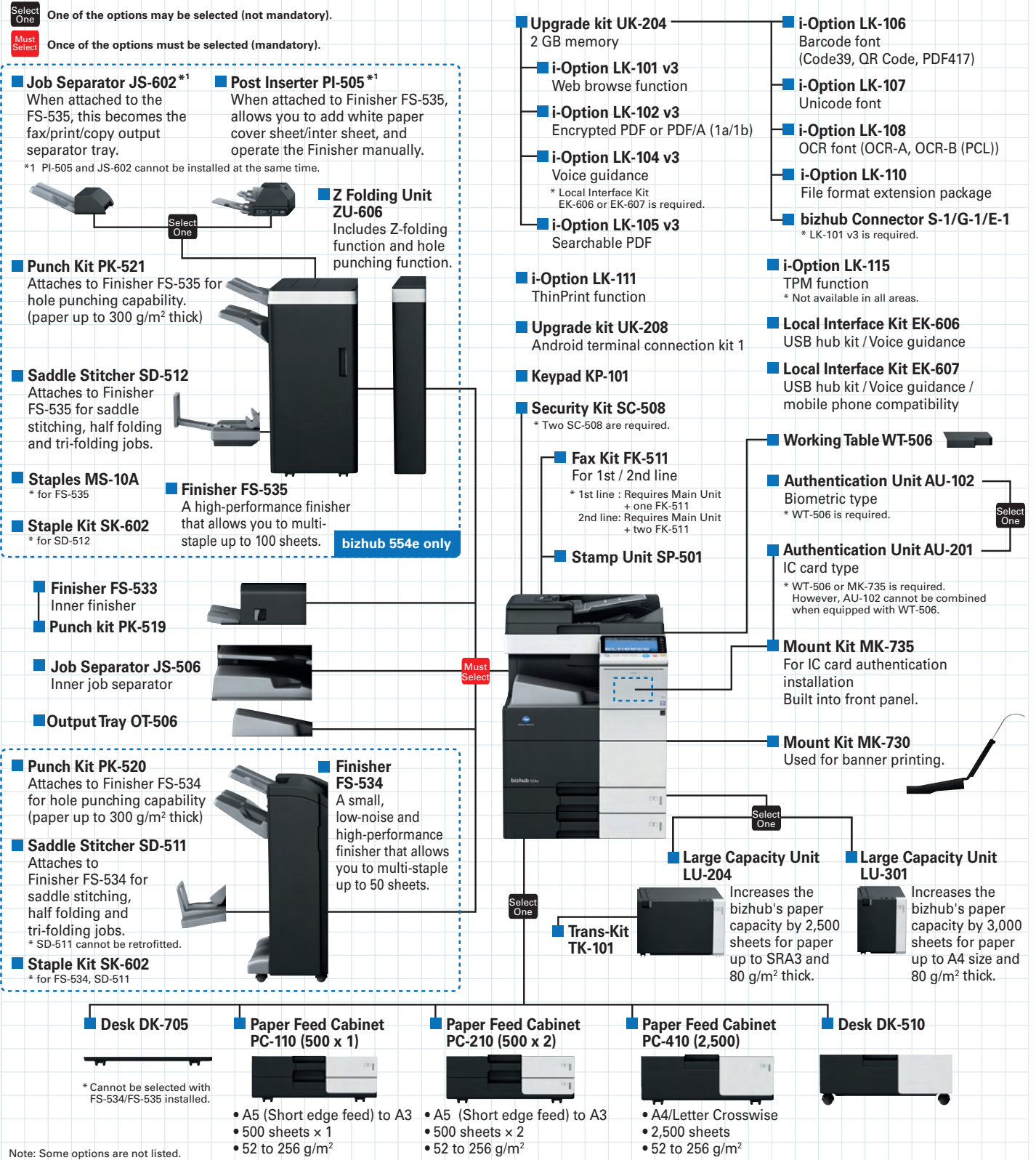




KONICA MINOLTA

bizhub 554e/454e Spec Sheet

System



Giving Shape to Ideas

Specifications

bizhub 554e/454e General Specifications

		bizhub 554e	bizhub 454e
Type	Desktop Printer / Copier / Scanner		
Copy Resolution	Scan	Main: 600 dpi x Sub: 600 dpi	
	Print	1,800 dpi (equivalent) x 600 dpi	
Gradation	256		
Memory Capacity (Std./Max.)	2 GB/4 GB		
HDD	250 GB		
Original Type	Sheets, Books, Objects		
Max. Original Size	A3 (11" x 17")		
Output Size	SRA3 to A5, B6S*, A6S*1, Thick paper, Foolscap** (8-1/2" x 13-1/2", 200 mm x 330 mm, 8-1/8" x 13-1/4", 8-1/2" x 13", 8-1/4" x 13", 8" x 13"), 8K, 16K, Long Length Paper (210 x 457.3 mm to 297 x 1,200 mm)		
Image Loss	Max. 4.2 mm or less for top edge (5 mm for thin paper), Max. 3.0 mm or less for bottom edge, Max. 3.0 mm or less for right/left edges *A loss of 4.2 mm each during printing.		
Warm-Up Time**3 (23°C, std. voltage)	22 sec. or less		25 sec. or less
	* The time required to start printing when both the main power and sub-power switches are turned from OFF to ON.		
First Copy Out Time**4	4.1 sec. or less		4.6 sec. or less
	* The time required to start printing when the main power switch is ON and the sub-power switch is turned from OFF to ON.		
Copy Speed (A4 Crosswise)	55 ppm		45 ppm
Copy Magnification	Fixed Same Magnification	1: 1±0.5% or less	
	Scaling Up	1: 1.154/1.224/1.414/2.000	
	Scaling Down	1: 0.866/0.816/0.707/0.500	
	Preset	3 types	
	Zoom	25 to 400% (in 0.1% increments)	
Paper Capacity (80 g/m ²)	Tray 1	500 sheets (up to A3)	
	Tray 2	500 sheets (up to SRA3)	
	Multiple Bypass Tray	150 sheets (up to SRA3)	
Max. Paper Capacity (80 g/m ²)**5	6,650 sheets		
Paper Weight	Tray 1 / 2	52 to 256 g/m ²	
	Multiple Bypass Tray	60 to 300 g/m ²	
Multiple Copy	1 to 9,999 sheets		
Auto Duplex	Paper Size	Width: 100 to 320 mm, Length: 148 to 457.2 mm	
	Paper Weight	52 to 256 g/m ²	
Power Requirements	AC220 to 240 V 9 A (50 to 60 Hz)		
Max. Power Consumption	2.0 kW or less		
Dimensions [W] x [D] x [H]	615 x 685 x 921 mm (24-1/4" x 27-1/2" x 36-1/4")		
Weight	Approx. 93 kg (205-1/4 lb)		
Space Requirements [W] x [D]**6	937 x 1,246 mm (37" x 49")		

*1 S: Short edge feed

*2 Set by Customer engineer

*3 May vary depending on the operating environment and usage.

*4 A4 crosswise full size/using the first tray/scanning from the original glass surface.

*5 With options installed.

*6 Without options, with paper trays pulled out, and multiple bypass tray, auxiliary tray and ADF opened.

Printer Specifications

Type	Embedded	
CPU	SOC 800 MHz (DualCore)	
Memory	Shared with the copier	
Print Speed	Same as Copy Speed (when using the same original)	
HDD	250 GB (Shared with the copier)	
Print Resolution	1,800 dpi (equivalent) x 600 dpi (at smoothing) or 1,200 dpi x 1,200 dpi (in 1,200 dpi mode)	
PDL	PCL 5e/c Emulation, PCL 6 Emulation, PostScript 3 (3016) Emulation, XPS (Ver.1.0)	
Protocol	TCP/IP, IPX/SPX (NDISsupport), SMB (NetBEUI), LPD, IPP1.1, SNMP, HTTP	
Support OS	Windows / Vista / Vista 64bit / 7 / 7 64bit / 8 / 8 64bit / 8.1 / 8.1 64bit / Windows Server 2003 / Server 2003 64bit / Server 2003 R2 / Server 2003 R2 64bit / Server 2008 / Server 2008 64bit / Server 2008 R2 / Server 2012 / Server 2012 R2 / Mac OS 9.2 / X 10.2 / X 10.3 / X 10.4 / X 10.5 / X 10.6 / X 10.7 / X 10.8 / X 10.9 Linux	
Fonts	PCL	80 Roman fonts
	PS	137 Roman Type1 fonts
Interface	Ethernet (10BASE-T/100BASE-TX/1000BASE-T), USB 1.1, USB 2.0, USB Host	

Scanning Specifications

Type	Full-Colour Scanner	
Interface	Ethernet (10BASE-T/100BASE-TX/1000BASE-T)	
Driver	TWAIN Driver, HDD TWAIN Driver	
Protocol	TCP/IP (FTP, SMB, SMTP WebDAV) (IPv4/IPv6)	
Scanning Speed (Colour/B&W) (300 dpi, A4 Crosswise)	Simplex	80 opm
	Duplex	160 opm
Scanning Size	Max. A3 (11" x 17")	
Output Format	TIFF, JPEG, PDF, Compact PDF, XPS, Compact XPS, OOXML (pptx, xlsx*, docx*), Searchable PDF*, PDF/A*, Linearised PDF* *Optional	
Scanning Resolution	Push	200 dpi / 300 dpi / 400 dpi / 600 dpi
	Pull	100 dpi / 200 dpi / 300 dpi / 400 dpi / 600 dpi
Main Functions	Scan to E-Mail, Scan to FTP Scan to BOX (HDD), Scan to PC (SMB), Network TWAIN, Scan to WebDAV, Scan to Me, Scan to Home, Scan to USB, Scan to Scan Server, Scan to Web Service (WSD-Scan), Device Profile for Web Services (DPWS)	
Other Functions	Multi-Method Send, Authentication at the time of E-Mail send (SMTP authentication, POP before SMTP), S/MIME, Annotation	

Internet Fax

Protocol	SMTP, POP	
Connection Mode	Full-Mode	
Sending Paper Size	A3, B4, A4	
Recording Paper Size	Max. A3	
Resolution	200 x 100 dpi, 200 x 200 dpi, 400 x 400 dpi, 600 x 600 dpi	
Interface	Ethernet (10BASE-T/100BASE-TX/1000BASE-T)	
Colour	Support Colour Internet Fax	
Format	Send: TIFF-F, Receive: TIFF-F, Colour/Grey Scale: TIFF (RFC3949 Profile-C)	

Dual Scan Document Feeder

Type	Single pass simultaneous duplex system	
Support Paper Size	A3 to A6S*1, 11" x 17" to 5-1/2" x 8-1/2", Foolscap** (8-1/2" x 13-1/2", 200 mm x 330 mm, 8-1/8" x 13-1/4", 8-1/2" x 13", 8-1/4" x 13", 8" x 13"), 8K, 16K	
Mixed Size Original Set	Support Centre guide	
Resolution	600 dpi support	
Support Paper Weight	Simplex: 35 to 163 g/m ² , Duplex: 50 to 163 g/m ² , Mixed Original: 50 to 128 g/m ² , FAX Mode: 35 to 163 g/m ² (Simplex), 50 to 163 g/m ² (Duplex)	
Paper Capacity	Max. 100 sheets (80 g/m ²)	
Productivity (A4 Crosswise)	Simplex	Copy (Colour/B&W): 55 opm (600 dpi) Scan (Colour/B&W): 80 opm (300 dpi)
	Duplex	Copy (Colour/B&W): 110 opm (600 dpi) Scan (Colour/B&W): 160 opm (300 dpi)
Power Requirements	Supplied from the MFP main body	
Max. Power Consumption	74.5 W or less	
Dimensions [W] x [D] x [H]	611.2 x 503.6 x 130 mm (24" x 19-3/4" x 5")	
Weight	Approx. 12 kg (26-1/2 lb)	

*1 S: Short edge feed

*2 Set by Customer engineer

Fax Kit FK-511 (Optional)

Communication	Super G3	
Compatible Lines	Public Switch Telephone Network, Private Branch Exchange, Fax Communication Line	
Line Density	G3 (8 dot/mm x 3.85 line/mm, 600 x 600 dpi)	
Modem Speed	2.4 to 33.6 kbps	
Compression	MH/MR/MMR/JBIG	
Sending Paper Size	Max. A3 (Long Length Support: Max. 1,000 mm)	
Recording Paper Size	Max. A3 (Long Length Max. 1,000 mm — following the page division —)	
Transmission Speed	Less than 3 sec. (A4, V.34, 33.6 kbps, JBIG)	
Memory	Shared with the copier	
Number of Abbr. Dials	2,000	
Number of Program Dials	400	
Number of Group Dials	100	
Sequential Multiple Station Transmission	Max. 600	

IP Address Fax *Optional Fax Kit FK-511 is required.

Protocol/Transmission	SMTP	
Sending Paper Size	A3, B4, A4	
Resolution	200 x 200 dpi, 400 x 400 dpi, 600 x 600 dpi	
Format	Send: TIFF-F, Receive: TIFF-F Colour/Grey Scale: TIFF (RFC3949 Profile-C)	

Finisher FS-533 (Optional)

Type	Finisher	
Support Paper Type	Thin paper/Plain paper (52 to 90 g/m ²), Thick paper (91 to 300 g/m ²), Transparency, Envelope, Label sheet, Letterhead paper, Long length paper, Tab paper	
Support Paper Size	SRA3 to A5, B6S*1, A6S*1, Thick paper, Foolscap** (8-1/2" x 13-1/2", 200 mm x 330 mm, 8-1/8" x 13-1/4", 8-1/2" x 13", 8-1/4" x 13", 8" x 13"), 8K, 16K, Long Length Paper (210 x 457.3 mm to 297 x 1,200 mm)	
Mode	Sort, Group, Offset Sort, Offset Group, Staple	
Stacking Capacity	500 sheets (52 to 90 g/m ² , A4S*1 or smaller) 250 sheets (52 to 90 g/m ² , B4 or larger) 10 sheets (91 to 300 g/m ² , special paper)	
Staple Capacity	50 sheets (52 to 90 g/m ² , A4S*1 or smaller) 30 sheets (52 to 90 g/m ² , B4 or larger) 2 sheets (91 to 209 g/m ² , as cover pages)	
Power Requirements	Supplied from the MFP main body	
Max. Power Consumption	40 W or less	
Dimensions [W] x [D] x [H]	472.5 x 583.5 x 194.7 mm (18-1/2" x 23" x 7-3/4")	
Weight	Approx. 12 kg (26-1/2 lb)	

*1 S: Short edge feed

*2 Set by Customer engineer

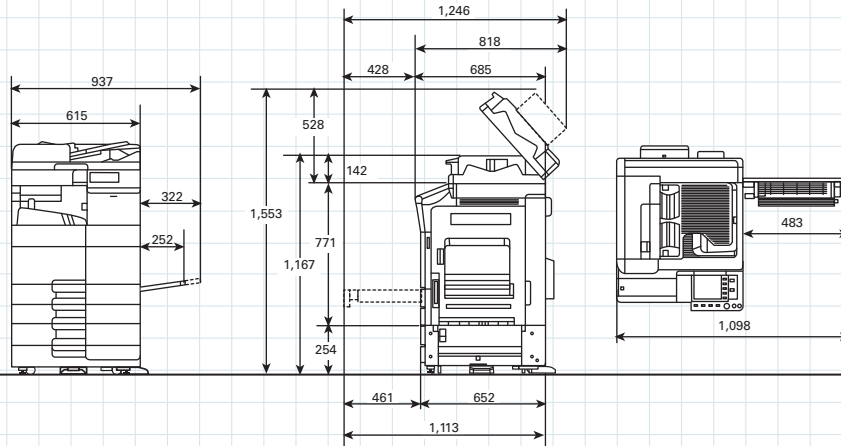
Job Separator JS-506 (Optional)

Support Paper Type (Weight)	Tray 1	Thin paper/Plain paper (52 to 90 g/m ²), Thick paper (91 to 300 g/m ²), Transparency, Envelope, Label sheet
	Tray 2	Thin paper/Plain paper (52 to 90 g/m ²), Thick paper (91 to 300 g/m ²), Transparency, Envelope, Label sheet, Long length paper
Support Paper Size	SRA3 to A5, B6S*1, A6S*1, Thick paper, Foolscap** (8-1/2" x 13-1/2", 200 mm x 330 mm, 8-1/8" x 13-1/4", 8-1/2" x 13", 8-1/4" x 13", 8" x 13"), 8K, 16K, Long Length Paper (210 x 457.3 mm to 297 x 1,200 mm)	
Stacking Capacity	Tray 1	100 sheets (52 to 90 g/m ²)
	Tray 2	150 sheets (52 to 90 g/m ²)
Power Requirements	Supplied from MFP main body	
Max. Power Consumption	24 W or less	
Dimensions [W] x [D] x [H]	491.9 x 469.5 x 226.5 mm (19-1/2" x 18-1/2" x 9")	
Weight	Approx. 1.5 kg (3-1/4 lb)	

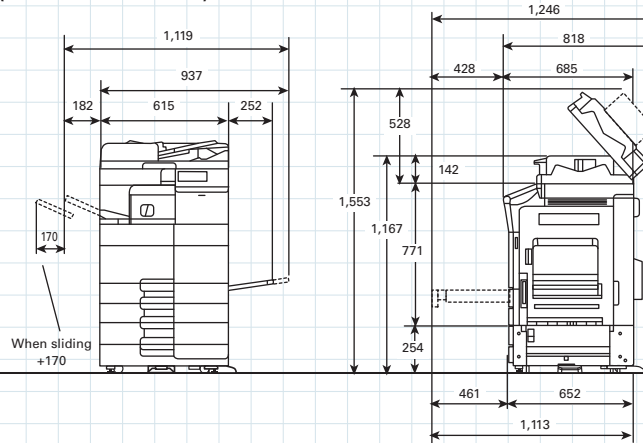
*1 S: Short edge feed

*2 Set by Customer engineer

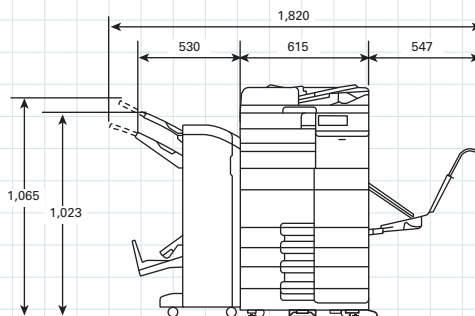
■ bizhub 554e (454e) + DF-701 + PC-210 (PC-110/PC-410/DK-510) + OT-506



■ bizhub 554e (454e) + DF-701 + PC-210 (PC-110/PC-410/DK-510) + FS-533



■ bizhub 554e (454e) + DF-701 + PC-210 (PC-110/PC-410/DK-510) + MK-730 + FS-534 + SD-511



■ bizhub 554e + DF-701 + PC-210 (PC-110/PC-410/DK-510) + MK-730 + LU-204 (LU-301) + FS-535 + PI-505 + SD-512 + ZU-606

